

# PMBC

## Acrylic Plastic Flowmeters



## OVERVIEW

### Operation

Bass Instruments, PMBC series Miniature Type Acrylic Plastic Flowmeters are low cost and small size flowmeters designed to measure the instantaneous flow of air, nitrogen and water. You can fix the flow to the desired amount with the standard adjustment valve. The connection parts are AISI316 as standart.

### Application

- Pilot plants
- Water treatment
- Pharmaceut cal industry
- Chemical Processes
- Heat treatment

### Features

- Small size
- Low cost
- Easy readable scale
- Easy installation
- Low pressure drop
- Vertical position
- Weight: 75 gr



## OPERATING DATA

### Operating pressure,max

10 bar

### Temperature Limit

-10°C... +60°C

### Accuracy

±3% full scale

### Fluid Water

3-250 L/H & 10-1000 cc/min & 0.2-65 G/h

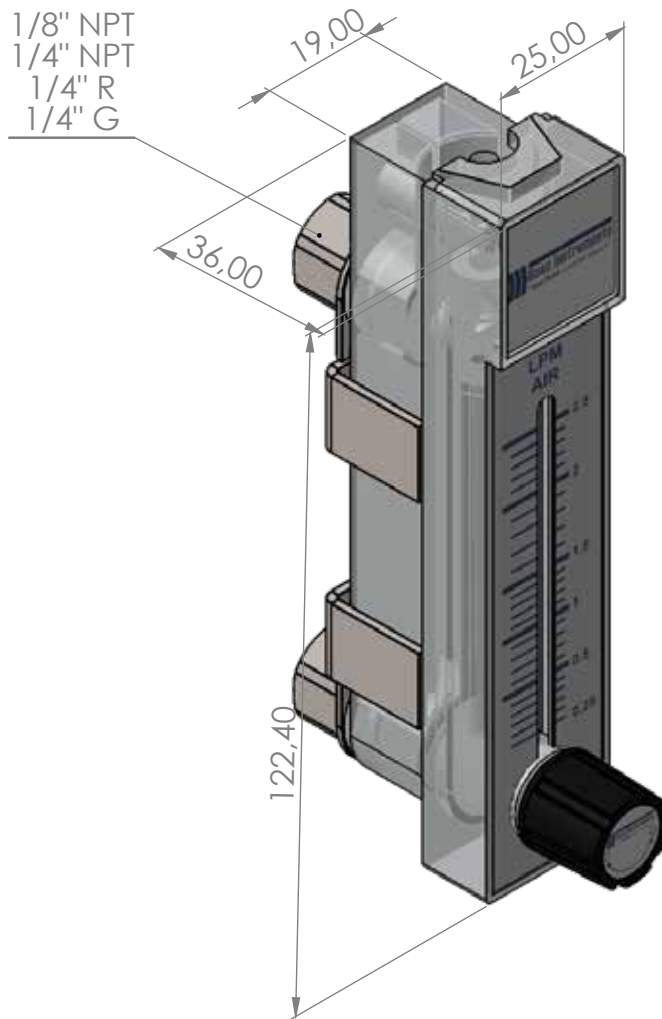
### Fluid Air

0.1-600 L/H & 50-1000 cc/min &  
0.1-6 NM<sup>3</sup>/H & 0.5-200 SCF/H

### Note

L/H (Litter per hour)  
cc/min (cc per minute)  
G/H (Gallon(us) per hour)  
NM<sup>3</sup>/H (Normal cubic meter per hour)  
SCF/H (Standart cubic feet per hour)

## TECHNICAL DRAWING



## MATERIALS

### Wetted parts material

Polycarbonate(PC) O-RingViton(standart)

### Valve material

SS316 & POM

## CONNECTION SIZE

1/8" NPT Female

1/4" NPT Female

R1/4,G1/4" Avalable



## ORDERING INFORMATION

### Fluid Type: AIR

Flow Range	Float Material	Ordering Code
50-500 CC/MIN	POM	PMBC-V-P-A-500-C
70-700 CC/MIN	POM	PMBC-V-P-A-700-C
0.1-1 L/MIN	POM	PMBC-V-P-A-1-LM
100-1000 CC/MIN	POM	PMBC-V-P-A-1000-C
0.2-2 L/MIN	POM	PMBC-V-P-A-2-C
0.25-2.5 L/MIN	SS316	PMBC-V-S-A-2.5-LM
0.4-4 L/MIN	SS316	PMBC-V-S-A-4-LM
0.5-5 L/MIN	SS316	PMBC-V-S-A-5-LM
0.6-6 L/MIN	SS316	PMBC-V-S-A-6-LM
1-10 L/MIN	POM	PMBC-V-P-A-10-LM
1.5-15 L/MIN	POM	PMBC-V-P-A-15-LM
2.5-25 L/MIN	SS316	PMBC-V-S-A-25-LM
2.5-25 L/MIN	POM	PMBC-V-P-A-25-LM
3-30 L/MIN	POM	PMBC-V-P-A-30-LM
4-40 L/MIN	SS316	PMBC-V-S-A-40-LM
4-40 L/MIN	POM	PMBC-V-P-A-40-LM
5-50 L/MIN	SS316	PMBC-V-S-A-50-LM
7-70 L/MIN	SS316	PMBC-V-S-A-70-LM
8-80 L/MIN	SS316	PMBC-V-S-A-80-LM



## ORDERING INFORMATION

### Fluid Type: AIR

Flow Range	Float Material	Ordering Code
10-100 L/MIN	SS316	PMBC-V-S-A-100-LM
12-120 L/H	POM	PMBC-V-P-A-120-LH
25-250 L/H	SS316	PMBC-V-S-A-250-LH
35-350 L/H	SS316	PMBC-V-S-A-350-LH
60-600 L/H	POM	PMBC-V-P-A-600-LH
0.1-1 NM <sup>3</sup> /H	POM	PMBC-V-P-A-1-MH
0.15-1.5 NM <sup>3</sup> /H	SS316	PMBC-V-S-A-1.5-MH
0.2-2 NM <sup>3</sup> /H	POM	PMBC-V-P-A-2-MH
0.25-2.5 NM <sup>3</sup> /H	SS316	PMBC-V-S-A-2.5-MH
0.4-4 NM <sup>3</sup> /H	SS316	PMBC-V-S-A-4-MH
0.5-5 NM <sup>3</sup> /H	SS316	PMBC-V-S-A-5-MH
0.6-6 NM <sup>3</sup> /H	SS316	PMBC-V-S-A-6-MH
0.5-5 SCF/H	POM	PMBC-V-P-A-5-SH
1-10 SCF/H	SS316	PMBC-V-S-A-10-SH
1.2-12 SCF/H	SS316	PMBC-V-S-A-12-SH
2-20 SCF/H	POM	PMBC-V-P-A-20-SH
3-30 SCF/H	POM	PMBC-V-P-A-30-SH
5-50 SCF/H	SS316	PMBC-V-S-A-50-SH
7-70 SCF/H	POM	PMBC-V-P-A-70-SH
8-80 SCF/H	SS316	PMBC-V-S-A-80-SH
14-140 SCF/H	SS316	PMBC-V-S-A-140-SH
16-160 SCF/H	SS316	PMBC-V-S-A-160-SH
20-200 SCF/H	SS316	PMBC-V-S-A-200-SH



## ORDERING INFORMATION

### Fluid Type: WATER

Flow Range	Float Material	Ordering Code
10-100 CC/MIN	SS316	PMBC-V-S-W -100-C
25-250 CC/MIN	POM	PMBC-V-P-W -250-C
30-300 CC/MIN	POM	PMBC-V-P-W -300-C
50-500 CC/MIN	POM	PMBC-V-P-W -500-C
100-1000 CC/MIN	SS316	PMBC-V-S-W -1000-C
0.6-6 L/H	SS316	PMBC-V-S-W -6-LH
0.8-8 L/H	POM	PMBC-V-P-W -8-LH
1.5-15 L/H	POM	PMBC-V-P-W -15-LH
2-20 L/H	POM	PMBC-V-P-W -20-LH
2.5-25 L/H	POM	PMBC-V-P-W -25-LH
3-30 L/H	POM	PMBC-V-P-W -30-LH
5-50 L/H	SS316	PMBC-V-S-W -50-LH
8-80 L/H	SS316	PMBC-V-S-W -80-LH
15-150 L/H	SS316	PMBC-V-S-W -150-LH
20-200 L/H	SS316	PMBC-V-S-W -200-LH
25-250 L/H	SS316	PMBC-V-S-W -250-LH
0.2-2 G/H	POM	PMBC-V-P-W -2-GH
0.5-5 G/H	POM	PMBC-V-P-W -5-GH
0.8-8 G/H	POM	PMBC-V-P-W -8-GH
1.3-13 G/H	SS316	PMBC-V-S-W -13-GH
2-20 G/H	SS316	PMBC-V-S-W -20-GH
4-40 G/H	SS316	PMBC-V-S-W -40-GH
5-50 G/H	SS316	PMBC-V-S-W -50-GH
6.5-65 G/H	SS316	PMBC-V-S-W -65-GH

